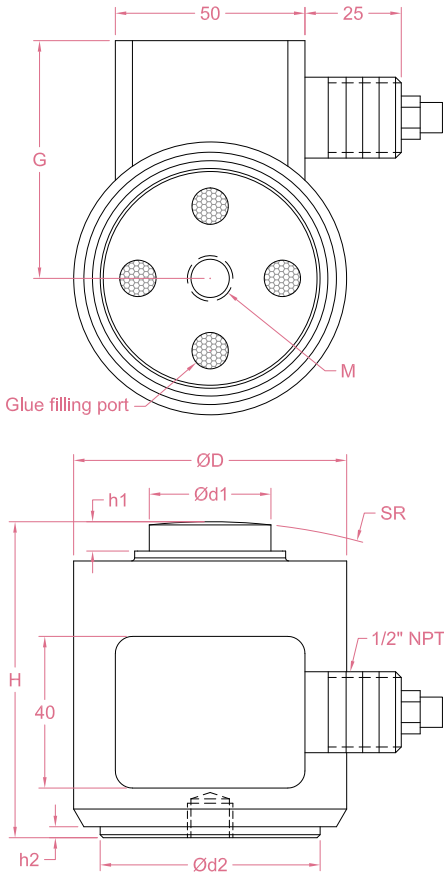




Dimensions in "mm"



Order example:

2 x LCC02 - 100t

Quantity Model Capacity

Email to sales@loadcellsensor.com for a quote

| Capacity | H | D | G | d1 | d2 | h1 | h2 | M | SR |
|------------|------|-----|-----|----|-----|----|----|----------|-----|
| 5t/10t/25t | 82.5 | 73 | 64 | 32 | 58 | 8 | 2 | M12*1.75 | 152 |
| 40t/60t | 127 | 105 | 87 | 59 | 83 | 9 | 12 | M20*2.5 | 152 |
| 100t | 184 | 152 | 109 | 80 | 124 | 23 | 22 | M20*2.5 | 432 |

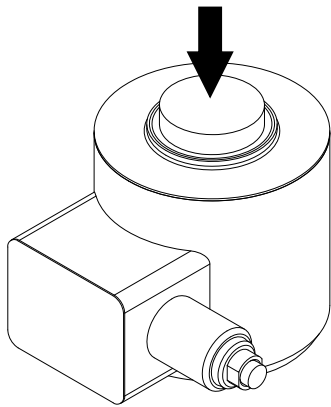
| Specifications | | | |
|------------------|--|-----------------------|------------------|
| Rated Capacity | 5/10/25/40/60/100 ton | | |
| Rated Output | 2.0±0.002 mV/V | Compensated Temp. | -10...+40°C |
| Excitation | 5~15V | Operating Temp. | -30...+70°C |
| Zero Balance | ±0.03 mV/V | Temp. Coeff. of Zero | ±0.002% F.S./°C |
| Nonlinearity | ±0.02% F.S. | Temp. Coeff. of Span | ±0.002% F.S./°C |
| Hysteresis | ±0.02% F.S. | Input Resistance | 450±5 Ohms |
| Nonrepeatability | ±0.02% F.S. | Output Resistance | 480±5 Ohms |
| Creep(30min) | ±0.02% F.S. | Insulation Resistance | >2000M Ohms(50V) |
| Safe Load Limit | 150% F.S. | IP Rating | IP68 |
| Breaking Load | 250% F.S. | Element Material | Stainless steel |
| Cable | 5/10t: Ø7.7*10000mm 4-conductor shielded cable 25/40/60/100t: Ø7.7*20000mm 4-conductor shielded cable | | |

• LCS reserves the right to modify its design and specifications without notice

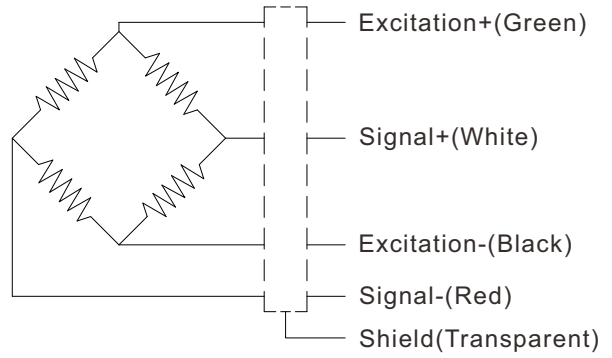




Load direction



Wiring Code



Shield is NOT connected to the sensor body

