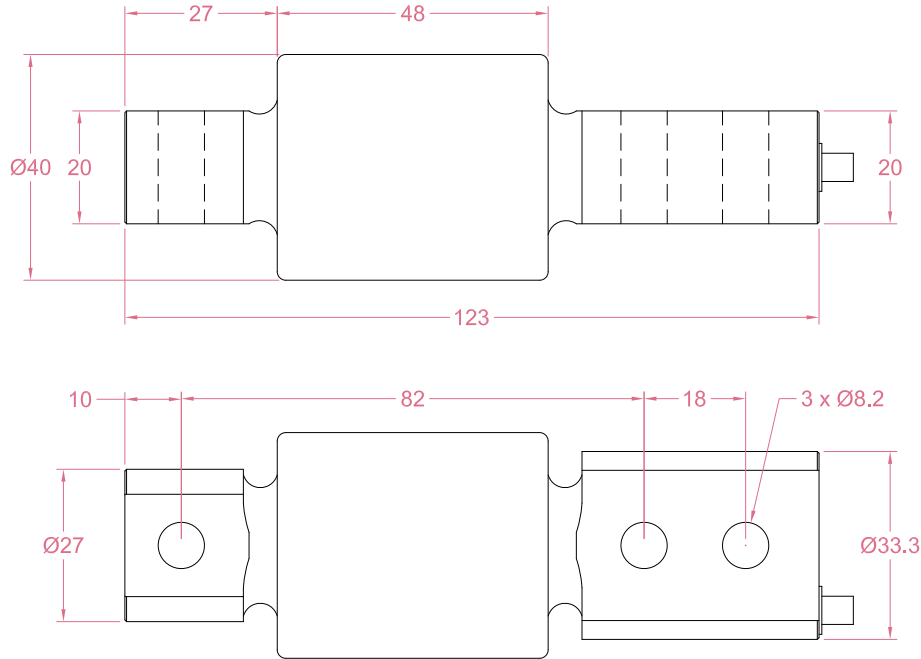




Dimensions in "mm"



Order example:

2 x LCG07 - 100kg

Quantity

Model

Capacity

Email to [sales@loadcellsensor.com](mailto:sales@loadcellsensor.com) for a quote

### Specifications

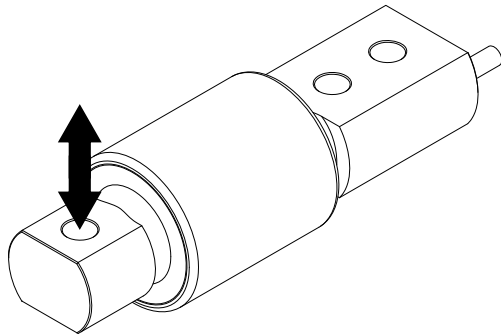
Rated Capacity	20/50/100/200 kg		
Rated Output	2.0±0.1 mV/V	Compensated Temp.	-10...+40°C
Excitation	3~15V	Operating Temp.	-30...+65°C
Zero Balance	±0.05 mV/V	Temp. Coeff. of Zero	±0.002% F.S./°C
Nonlinearity	±0.02% F.S.	Temp. Coeff. of Span	±0.002% F.S./°C
Hysteresis	±0.02% F.S.	Input Resistance	385±30 Ohms
Nonrepeatability	±0.02% F.S.	Output Resistance	352±5 Ohms
Creep(30min)	±0.02% F.S.	Insulation Resistance	>2000M Ohms(50V)
Safe Load Limit	150% F.S.	IP Rating	IP68
Breaking Load	200% F.S.	Element Material	Stainless steel
Cable	Ø5.3*1500mm 6-conductor shielded cable		

• LCS reserves the right to modify its design and specifications without notice

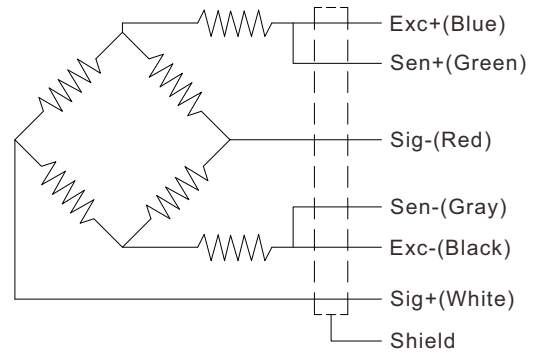
P:1/2



Load direction



Wiring Code



Shield is NOT connected to the sensor body

### Sensor/Amplifier/Indicator

Items	Power supply	Output/Function
LCG07	3-15V (Constant)	-30mV...+30mV (Depending on the power supply)
LCG07 + Analog amplifier	12~24V DC	0-3.3V,0-5V,0-10V, -5-5V,-10-10V,0-5-10V 0-20mA,4-20mA,4-12-20mA...
LCG07 + Digital amplifier	12~24V DC	RS485 or RS232 output
LCG07 + Indicator	12~24V DC	Display force value Switch output Peak holding RS485/RS232 interface 0-5V/0-10V/4-20mA output
<a href="#">Email us for datasheet of amplifier and indicator</a>		