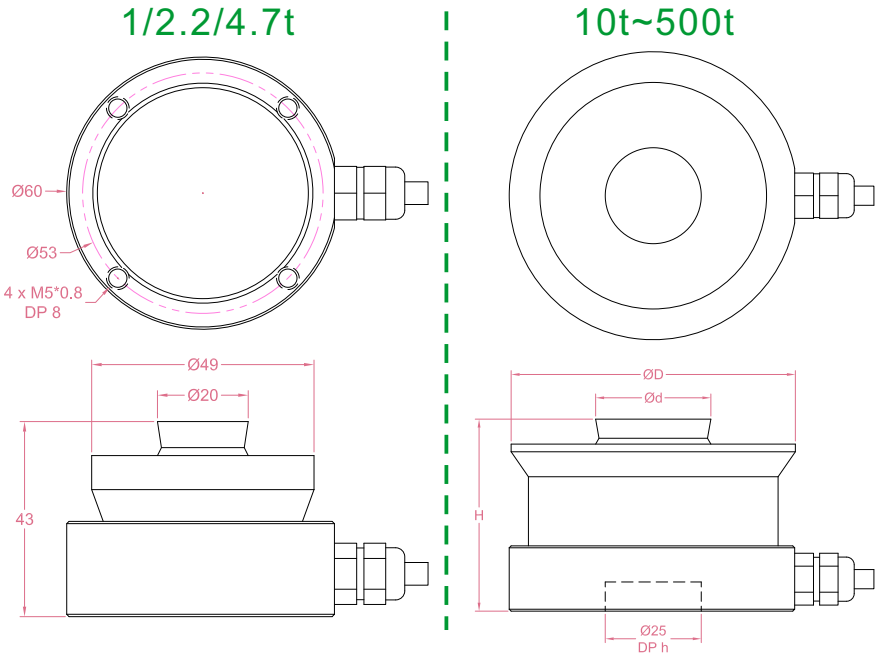




Dimensions in "mm"



Capacity	H	D	d	h	Price
1/2.2/4.7t	/	/	/	/	189usd/pc
10/15/22t	50	75	30	7.6	220usd/pc
33t	65	95	40	7.6	325usd/pc
47t	75	130	60	7.6	490usd/pc
68t	85	130	60	7.6	520usd/pc
100t	90	150	70	7.6	799usd/pc
150t	100	150	70	7.6	865usd/pc
220/330t	145	225	100	7.5	Consult
500t	170	270	100	10	

Order example:

1 x SRTN - 4.7t
Quantity Model Capacity

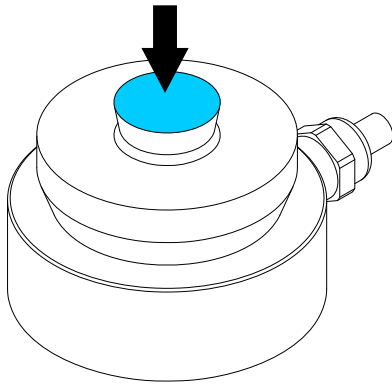
Email to sales@loadcellsensor.com for a quote

Specifications			
Rated Capacity	1/2.2/4.7/10/15/22/33/47/68/100/150/220/330/500 ton		
Rated Output	2.85 mV/V	Compensated Temp.	0...+40°C
Excitation	3~15V	Operating Temp.	-20...+65°C
Zero Balance	±0.05 mV/V	Temp. Coeff. of Zero	±0.05% F.S./10°C
Nonlinearity	1~47t: ±0.05% F.S. 68~220t: ±0.1% F.S. 330~500t: ±0.3% F.S.	Temp. Coeff. of Span	±0.05% F.S./10°C
Hysteresis	1~47t: ±0.05% F.S. 68~220t: ±0.1% F.S. 330~500t: ±0.3% F.S.	Input Resistance	4450±200 Ohms
Nonrepeatability	1~47t: ±0.05% F.S. 68~220t: ±0.1% F.S. 330~500t: ±0.3% F.S.	Output Resistance	4000±10 Ohms
Creep(5min)	±0.05% F.S.	Insulation Resistance	>2000M Ohms(50V)
Safe Load Limit	150% F.S.	IP Rating	IP67
Breaking Load	200% F.S.	Element Material	Stainless steel
Cable	Ø5*10000mm 4-conductor shielded cable		

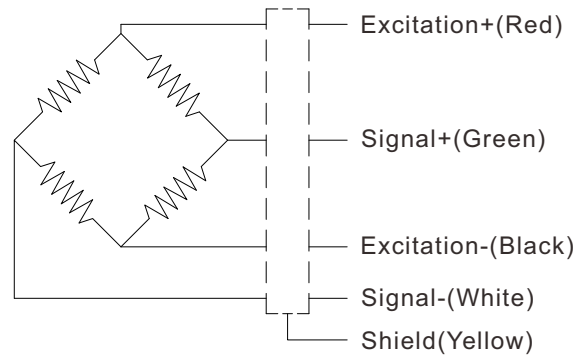
• LCS reserves the right to modify its design and specifications without notice



Load direction



Wiring Code



Shield is NOT connected to the sensor body

Sensor/Amplifier/Indicator

Items	Power supply	Output/Function
SRTN	3-15V (Constant)	0mV...+43mV (Depending on the power supply)
SRTN + Analog amplifier	12~24V DC	0-3.3V,0-5V,0-10V, 0-20mA,4-20mA...
SRTN + Digital amplifier	12~24V DC	RS485 or RS232 output
SRTN + Indicator	12~24V DC	Display force value Switch/Relay output Peak holding RS485/RS232 interface 0-5V/0-10V/4-20mA output

[Email us for datasheet of amplifier and indicator](#)

Customization options

Cable (Length/Specifications/Connectors)
Dimensions and measuring range
Working Temperature (-40°C...+150°C)