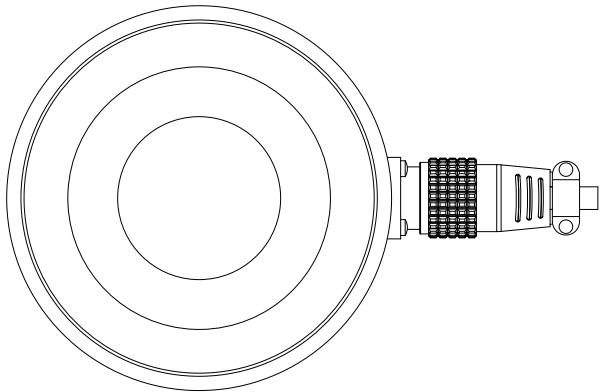
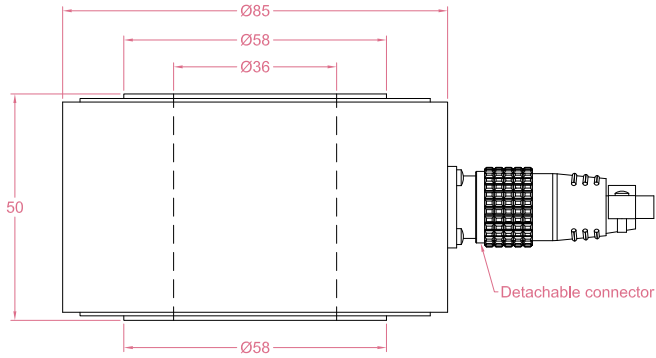




Dimensions in "mm"



Customization options

Dimensions and measuring range
IP rating up to IP67
Working Temperature (-40°C...+150°C)

Order example:

1 x LCDA - 20t

Quantity    Model    Capacity

Email to [sales@loadcellsensor.com](mailto:sales@loadcellsensor.com) for a quote

Specifications

Rated Capacity	5/10/20/30/50 ton		
Rated Output	≈1.5 mV/V	Compensated Temp.	0...+40°C
Excitation	3~15V	Operating Temp.	-20...+60°C
Zero Balance	±0.05 mV/V	Temp. Coeff. of Zero	±0.01% F.S./°C
Nonlinearity	±0.5% F.S.	Temp. Coeff. of Span	±0.01% F.S./°C
Hysteresis	±0.5% F.S.	Input Resistance	700±100 Ohms
Nonrepeatability	±0.2% F.S.	Output Resistance	700±50 Ohms
Creep(5min)	±0.1% F.S.	Insulation Resistance	>2000M Ohms(50V)
Safe Load Limit	150% F.S.	IP Rating	IP50
Breaking Load	200% F.S.	Element Material	Alloy steel
Cable	Ø5*2000mm 4-conductor shielded cable		

• LCS reserves the right to modify its design and specifications without notice

