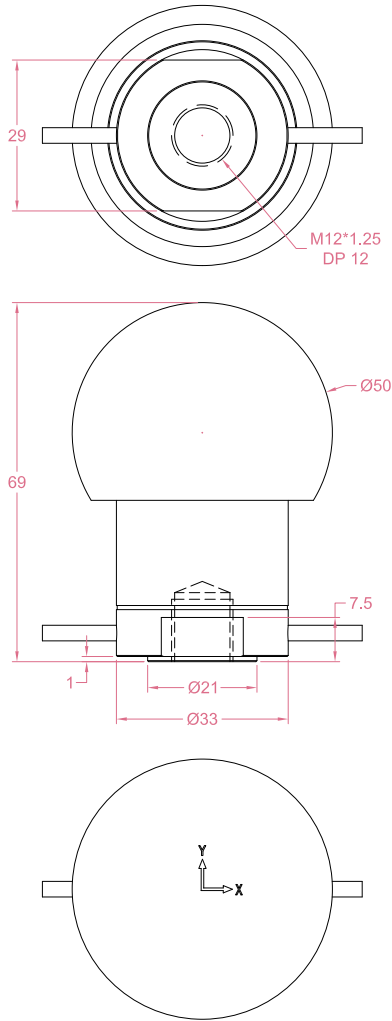




Dimensions in "mm"



Order example:

1 x LCM2B - 500N

Quantity

Model

Capacity  
(Fx=Fy)

Email to [sales@loadcellsensor.com](mailto:sales@loadcellsensor.com) for a quote

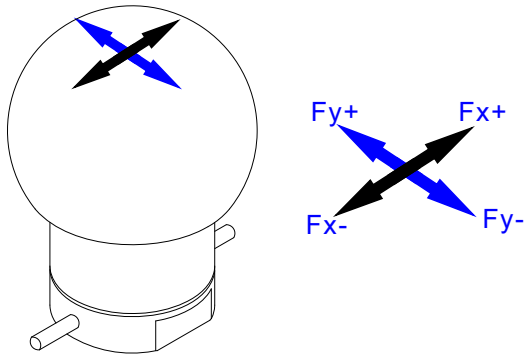
Specifications			
Rated Capacity	Fx=Fy=100/200/500/1000 N		
Rated Output	1.5 mV/V	Compensated Temp.	0...+40°C
Excitation	3~12V	Operating Temp.	-10...+60°C
Zero Balance	±0.1 mV/V	Temp. Coeff. of Zero	±0.02% F.S./°C
Nonlinearity	±0.3% F.S.	Temp. Coeff. of Span	±0.02% F.S./°C
Hysteresis	±0.3% F.S.	Input Resistance	380±30 Ohms
Nonrepeatability	±0.2% F.S.	Output Resistance	350±10 Ohms
Creep(3min)	±0.05% F.S.	Insulation Resistance	>2000M Ohms(50V)
Safe Load Limit	150% F.S.	IP Rating	IP62
Breaking Load	200% F.S.	Element Material	Stainless steel
Cable	2 x Ø3*3000mm 4-conductor shielded cable		

• LCS reserves the right to modify its design and specifications without notice

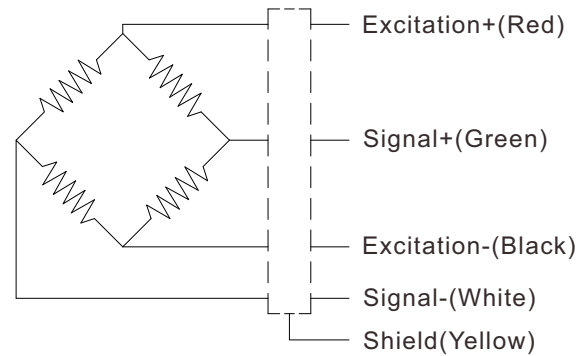
P:1/2



Load direction



Wiring Code(Same for Fx/Fy axis)



Shield is NOT connected to the sensor body

Sensor/Amplifier/Indicator

Items	Power supply	Output/Function
LCM2B	3-12V (Constant)	-18mV...+18mV (Depending on the power supply)
LCM2B + Analog amplifier	12~24V DC	0-3.3V,0-5V,0-10V,0-2.5-5V,0-5-10V -3.3-3.3V,-5-5V,-10-10V 0-20mA,4-20mA,4-12-20mA...
LCM2B + Digital amplifier	12~24V DC	RS485 or RS232 output

[Email us for datasheet of amplifiers](#)

Customization options

Cable (Length/Specifications/Connectors)
Dimensions and measuring range