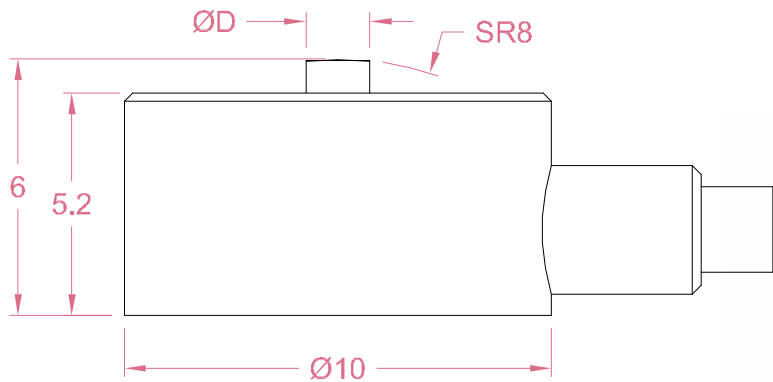


Dimensions in "mm"



| | |
|---------------|-----|
| Capacity | D |
| 100N | 1.6 |
| 200/500/1000N | 2.3 |



Order example:

2 x LCB02 - 500N

Quantity Model Capacity

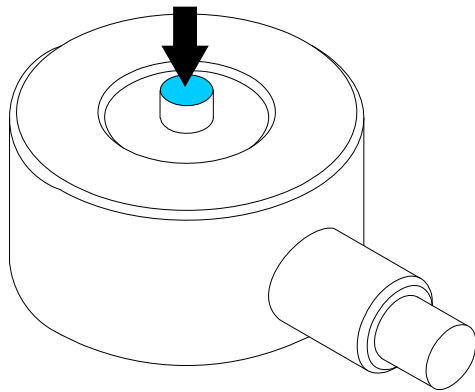
Email to sales@loadcellsensor.com for a quote

| Specifications | | | |
|------------------|--------------------------------------|-----------------------|------------------|
| Rated Capacity | 100/200/500/1000 N | | |
| Rated Output | 1.0 mV/V | Compensated Temp. | 0...+40°C |
| Excitation | 3~10V | Operating Temp. | -20...+60°C |
| Zero Balance | ±0.1 mV/V | Temp. Coeff. of Zero | ±0.05% F.S./°C |
| Nonlinearity | ±1% F.S. | Temp. Coeff. of Span | ±0.05% F.S./°C |
| Hysteresis | ±1% F.S. | Input Resistance | 800±200 Ohms |
| Nonrepeatability | ±0.5% F.S. | Output Resistance | 800±200 Ohms |
| Creep(5min) | ±0.5% F.S. | Insulation Resistance | >2000M Ohms(50V) |
| Safe Load Limit | 150% F.S. | IP Rating | IP64 |
| Breaking Load | 200% F.S. | Element Material | Stainless steel |
| Cable | Ø2*3000mm 4-conductor shielded cable | | |

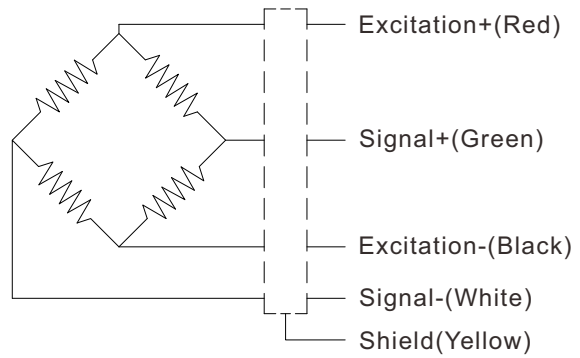
• LCS reserves the right to modify its design and specifications without notice



Load direction



Wiring Code



Shield is NOT connected to the sensor body

Sensor/Amplifier/Indicator

| Items | Power supply | Output/Function |
|---------------------------------|---------------------|---|
| LCB02 | 3-10V (Constant) | 0...+10mV (Depending on the power supply) |
| LCB02 + Analog amplifier | 12~24V DC | 0-3.3V,0-5V,0-10V, 0-20mA,4-20mA... |
| LCB02 + Digital amplifier | 12~24V DC | RS485 or RS232 output |
| LCB02 + Indicator | 12~24V DC | Display force value Switch/Relay output Peak holding RS485/RS232 interface 0-5V/0-10V/4-20mA output |

[Email us for datasheet of amplifier and indicator](#)

