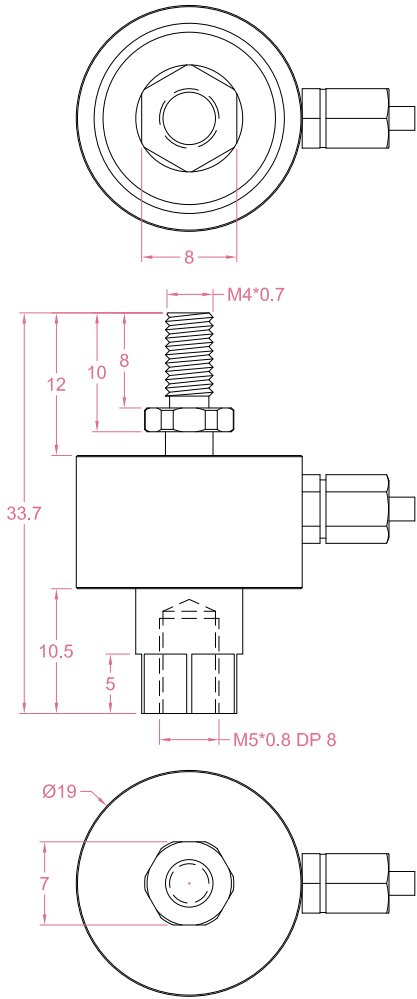
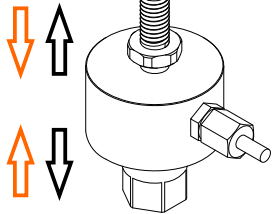




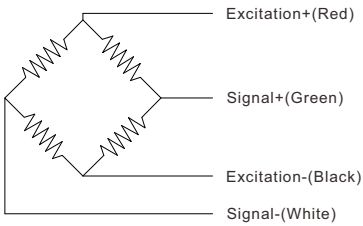
Dimensions in "mm"



Load direction



Wiring Code@Compression



Customization options

- Cable (Length/Specifications/Connectors)
- Dimensions and measuring range

Order example:

2 x LCR15-10kg

Quantity

Model

Email to sales@loadcellsensor.com for a quote

Specifications			
Rated Capacity	10kg		
Rated Output	1.0 mV/V	Compensated Temp.	0...+40°C
Excitation	3~12V	Operating Temp.	-20...+60°C
Zero Balance	±0.05 mV/V	Temp. Coeff. of Zero	±0.05% F.S./°C
Nonlinearity	±0.5% F.S.	Temp. Coeff. of Span	±0.03% F.S./°C
Hysteresis	±0.5% F.S.	Input Resistance	350±30 Ohms
Nonrepeatability	±0.2% F.S.	Output Resistance	350±5 Ohms
Creep(5min)	±0.1% F.S.	Insulation Resistance	>2000M Ohms(50V)
Safe Load Limit	150% F.S.	IP Rating	IP64
Breaking Load	200% F.S.	Element Material	Aluminum alloy
Cable	Ø2*2000mm 4-conductor		

• LCS reserves the right to modify its design and specifications without notice

