



Ordering part No.

Ordering part No.: Model - Torque capacity - Code					
Model	Torque cap. (Nm)	Code	Power supply	Torque output	
RTSA	5 10 20 30 50 100 200 300 500	A	24V DC	-3.3-3.3V	
		B		0-1.65-3.3V	
		C		-5-5V	
		D		0-2.5-5V	
		E		-10-10V	
		F		0-5V-10V	
		G	4-12-20mA	12V DC	-3.3-3.3V
		H	0-1.65-3.3V		
		I	-5-5V		
		J	0-2.5-5V		
		K	4-12-20mA		
		L			

Example: **RTSA-100-C** means:
 Power supply: 24V DC
 Torque: -100Nm~100Nm VS -5-5V
 Angle: 2048 pulses per Revolution



Wiring code	
Red	Power+
Black	Power-
Green	Torque output+
White	Output-
Yellow	Angle A
Blue	Angle B

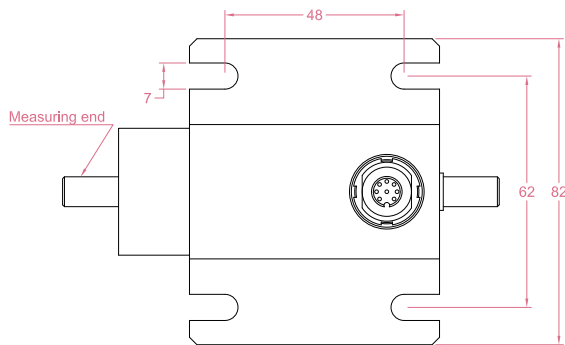
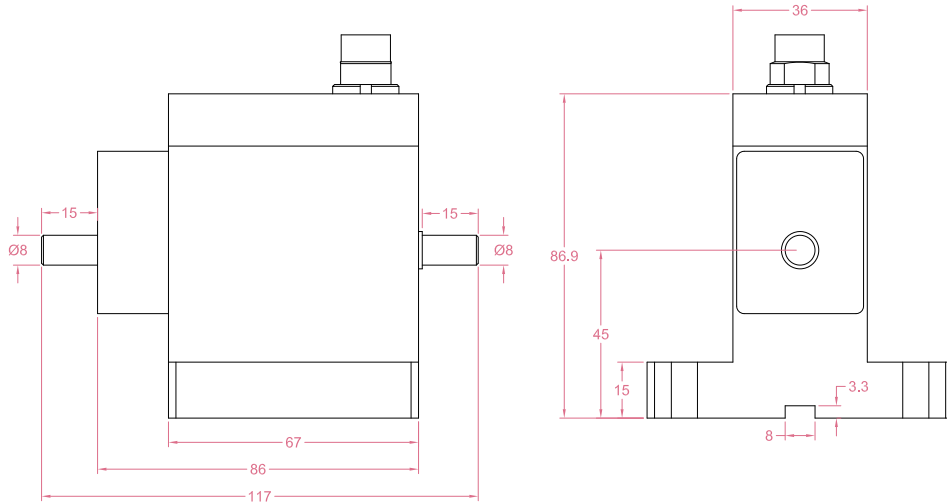
Specifications	
Torque Capacity	5Nm~500Nm (Selectable)
Maximum Speed	6000RPM
Power Supply	12 or 24V DC
Angle Output	5Nm: 1024 pulses per Rev. 10~500Nm: 2048 pulses per Rev.
Torque Output	Refer to ordering part No.
Sampling Rate	500Hz
Nonlinearity	±0.2% F.S.
Hysteresis	±0.2% F.S.
Nonrepeatability	±0.2% F.S.
Creep(5min)	±0.1% F.S.
Safe Torque Limit	150% F.S.
Breaking Torque	200% F.S.
Operating Temp.	-10...+60°C
Temp. Coeff. of Zero	±0.02% F.S./°C
Temp. Coeff. of Span	±0.02% F.S./°C
IP Rating	IP40
Element Material	Stainless steel
Housing Material	Aluminum alloy
Cable	Ø6*5000mm with mating connector

• LCS reserves the right to modify its design and specifications without notice

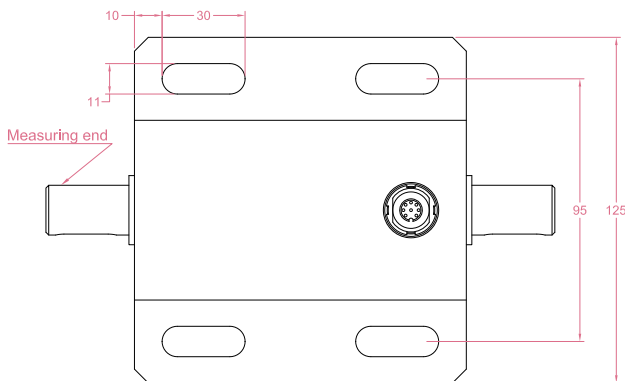
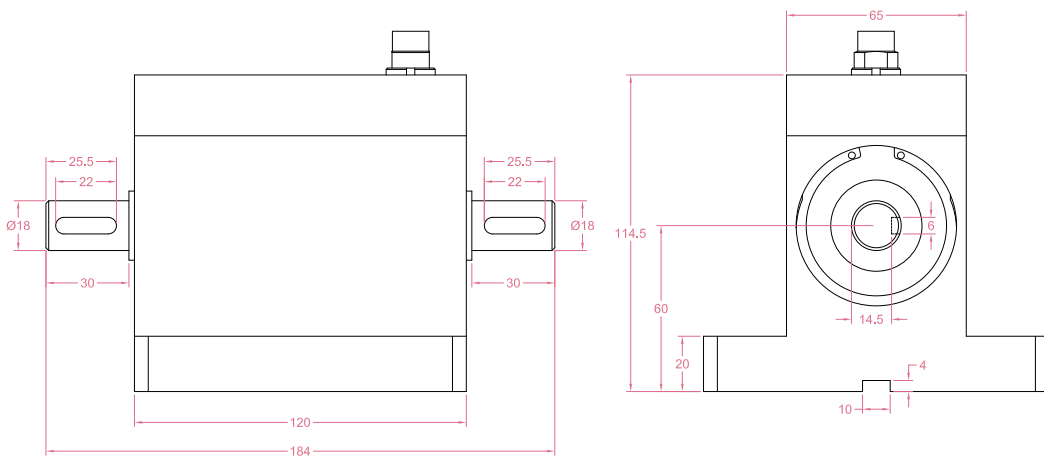




Dimensions in "mm"



Dimensions of 5Nm

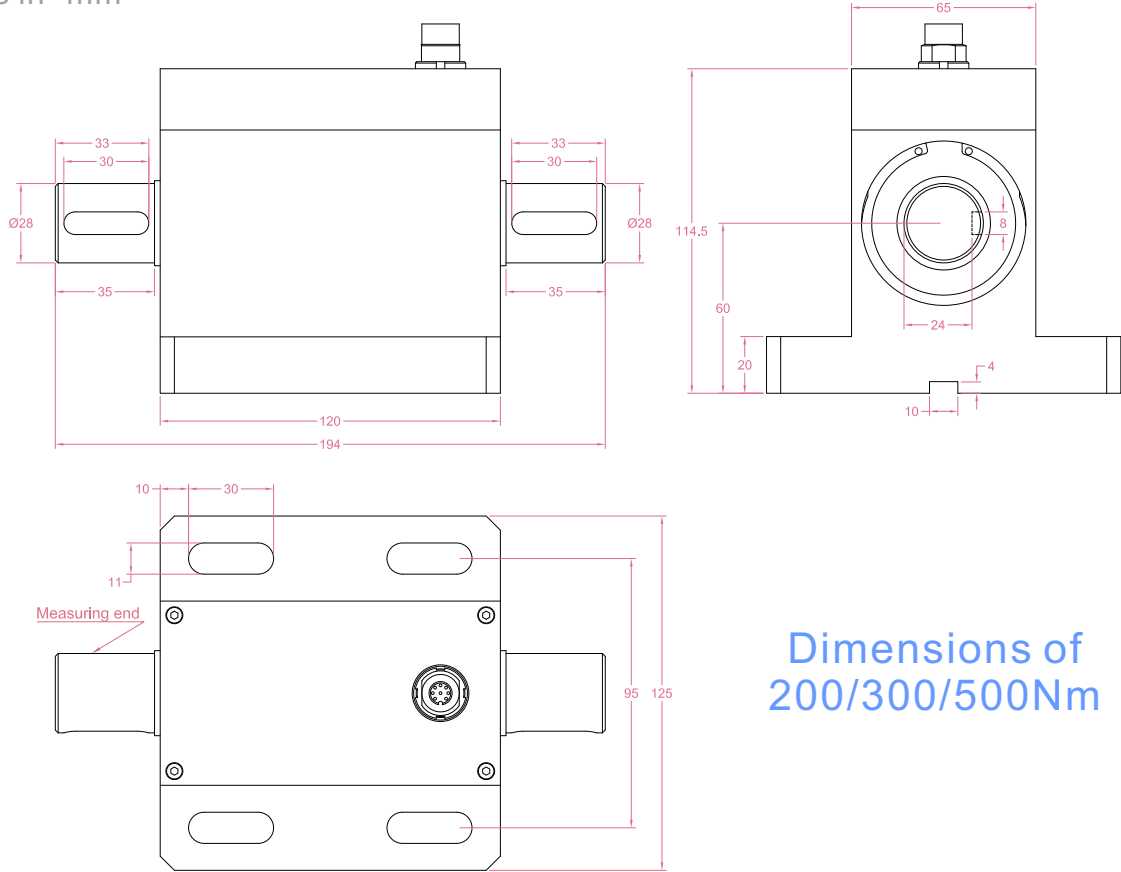


Dimensions of 10/20/30/50/100Nm





Dimensions in "mm"



Dimensions of 200/300/500Nm

Cable Options

