

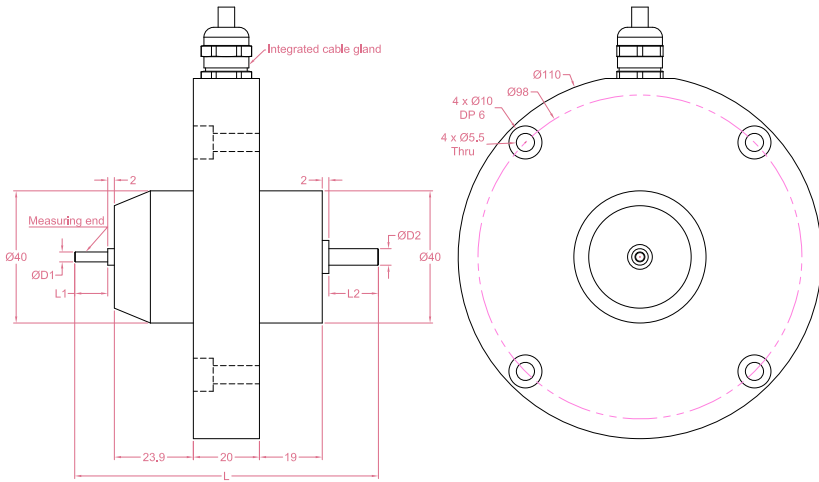
Specifications	
Torque Capacity	0.01Nm~3Nm (Selectable)
Power supply	12 or 24V DC
Torque Output	Refer to ordering part No.
Speed Output	
Angle Output	1024 pulses per Rev.
Sampling Rate	200Hz
Nonlinearity	±0.2% F.S.
Hysteresis	±0.2% F.S.
Nonrepeatability	±0.2% F.S.
Creep(5min)	±0.1% F.S.
Safe Torque Limit	150% F.S.
Breaking Torque	200% F.S.
Operating Temp.	-10...+60°C
Temp. Coeff. of Zero	±0.03% F.S./°C
Temp. Coeff. of Span	±0.03% F.S./°C
IP Rating	IP40
Element Material	Titanium alloy
Housing Material	Aluminum alloy
Cable	Ø6*3000mm

• LCS reserves the right to modify its design and specifications without notice



Dimensions in "mm"

### With speed encoder



Torque capacity	Speed range	L	L1	L2	D1	D2
0.1/0.2/0.5 Nm	0~3000RPM	94.9	12	16	5	6
1 Nm	0-8000RPM	96.9	14	16	6	6
2/3 Nm	0-8000RPM	98.9	16	16	8	6

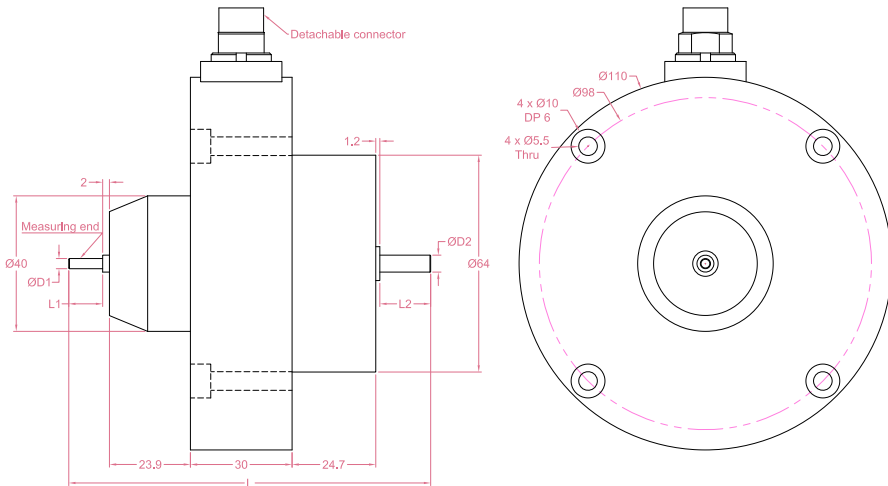
### Ordering part No.

Ordering part No.: Model - Torque cap. - Speed cap. - Code						
Model	Torque cap. (Nm)	Speed cap. (RPM)	Code	Power supply	Torque output	Speed output
RTSC	0.1 0.2 0.5 1 2 3	0.1~0.5Nm: 0~3000	A	24V DC	-3.3-3.3V	0-3.3V
			B		0-1.65-3.3V	
			C		-5-5V	0-5V
			D		0-2.5-5V	
			E		-10-10V	0-10V
			F		0-5V-10V	
	1~3Nm: 0~8000	G	4-12-20mA	4-20mA		
		H	12V DC	-3.3-3.3V	0-3.3V	
		I		0-1.65-3.3V		
		J		-5-5V	0-5V	
		K		0-2.5-5V		
		L		4-12-20mA	4-20mA	

Example: RTSC-0.5-2000-C means:  
Power: 24V DC  
Torque: -0.5Nm~0.5Nm VS -5-5V  
Speed: 0~2000RPM VS 0-5V

Wiring code	
Red	Power+
Black	Power-
Green	Torque output+
Yellow	Speed output+
White	Output-
Bold Yellow	Shield

### With angle encoder



Torque capacity	Speed range	L	L1	L2	D1	D2
0.01/0.02/0.05 Nm	0~30RPM	106.8	10	15	3	5
0.1/0.2/0.5 Nm	0~3000RPM	109.8	12	16	5	6
1 Nm	0-8000RPM	111.8	14	16	6	6
2/3 Nm	0-8000RPM	113.8	16	16	8	6

### Ordering part No.

Ordering part No.: Model - Torque cap. - Code					
Model	Torque cap. (Nm)	Code	Power supply	Torque output	
RTSC	0.01 0.02 0.05 0.1 0.2 0.5 1 2 3	A	24V DC	-3.3-3.3V	
		B		0-1.65-3.3V	
		C		-5-5V	
		D		0-2.5-5V	
		E		-10-10V	
		F		0-5V-10V	
	1~3Nm: 0~8000	G	4-12-20mA	4-20mA	
		H	12V DC	-3.3-3.3V	0-3.3V
		I		0-1.65-3.3V	
		J		-5-5V	0-5V
		K		0-2.5-5V	
		L		4-12-20mA	4-20mA

Example: RTSC-0.5-C means:  
Power: 24V DC  
Torque: -0.5Nm~0.5Nm VS -5-5V  
Angle: 1024 pulses per Revolution

Wiring code	
Red	Power+
Black	Power-
Green	Torque output+
White	Output-
Yellow	Angle A
Blue	Angle B

• LCS reserves the right to modify its design and specifications without notice

