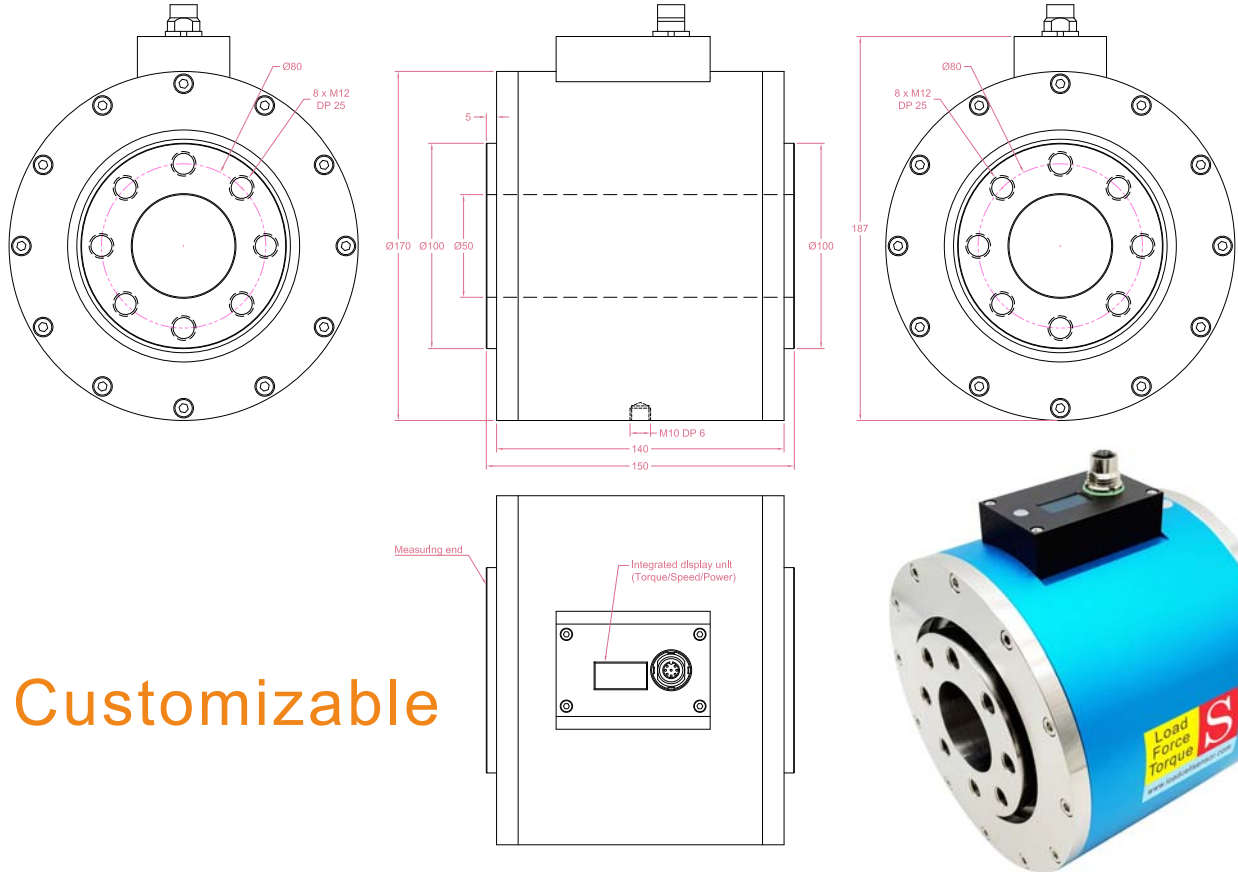




Dimensions in "mm"



Customizable



Specifications	
Torque Capacity	2k/3k/5k/10k Nm
Speed Capacity	Up to 2000RPM
Power Supply	12 or 24V DC
Rated Output	Refer to ordering part No.
Sampling Rate	500Hz
Nonlinearity	±0.5% F.S.
Hysteresis	±0.5% F.S.
Nonrepeatability	±0.2% F.S.
Creep(5min)	±0.1% F.S.
Safe Torque Limit	150% F.S.
Breaking Torque	200% F.S.
Operating Temp.	-10...+60°C
Temp. Coeff. of Zero	±0.02% F.S./°C
Temp. Coeff. of Span	±0.02% F.S./°C
IP Rating	IP40
Element Material	Stainless steel
Housing Material	Aluminum alloy
Cable	Ø6*5000mm

• LCS reserves the right to modify its design and specifications without notice





Ordering part No.

Ordering part No.: **Model - Torque capacity - Speed capacity - Code**

Model	Torque capacity (Nm)	Speed capacity (RPM)	Code	Power supply	Torque output	Speed output
RTSH	2k 3k 5k 10k	0~2000	A	24V DC	-3.3-3.3V	0-3.3V
			B		0-1.65-3.3V	
			C		-5-5V	0-5V
			D		0-2.5-5V	
			E		-10-10V	0-10V
			F		0-5V-10V	
			G	4-12-20mA	4-20mA	
			H	12V DC	-3.3-3.3V	0-3.3V
			I		0-1.65-3.3V	
			J		-5-5V	0-5V
			K		0-2.5-5V	
			L		4-12-20mA	4-20mA

Example: **RTSH-5k-2k-E** means:
 Power supply: 24V DC
 Torque channel: -5000Nm~5000Nm VS -10-10V
 Speed channel: 0~2000RPM VS 0-10V

Wiring code	
Red	Power+
Black	Power-
Green	Torque output+
Yellow	Speed output+
White	Output-
Bold Yellow	Shield

Cable Options

