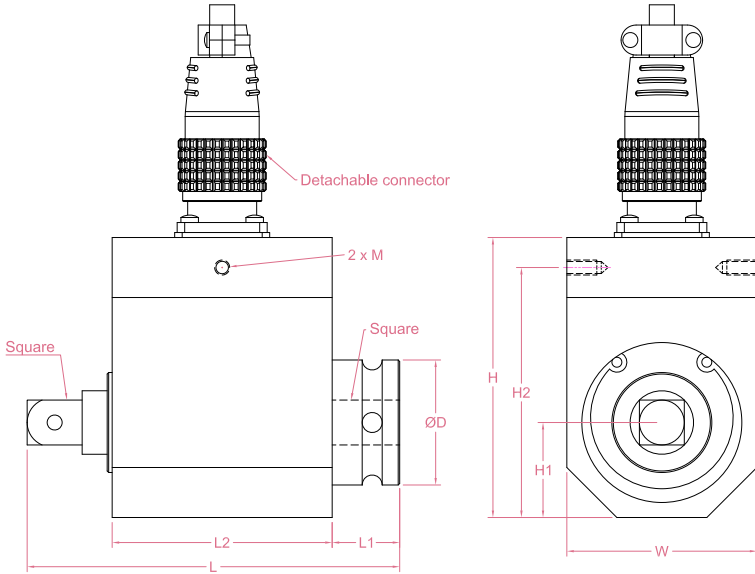




Dimensions in "mm"



Torque Capacity	Max speed	Square	L	W	H	D	L1	L2	H1	H2	M
20/30/50Nm	2800RPM	3/8"	74.5	38	58	25	12.5	44	19	52	M3 DP 6
100Nm	2600RPM	1/2"	79	38	58	25	12.5	44	19	52	M3 DP 6
200/300/500Nm	2000RPM	3/4"	97	58	76	40	17	50	29	71	M4 DP 6
1000/1500Nm	1000RPM	1"	112	73	90	50	20.5	57	36.5	85	M4 DP 8

Order example:

1 x RTS09 - 50Nm

Quantity      Model      Capacity

Email to [sales@loadcellsensor.com](mailto:sales@loadcellsensor.com) for a quote

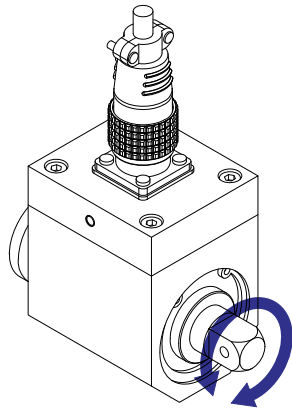
Specifications			
Rated Capacity	20/30/50/100/200/300/500/1000/1500 Nm		
Rated Output	1.0~1.9 mV/V	Compensated Temp.	0...+40°C
Excitation	3~15V	Operating Temp.	-10...+60°C
Zero Balance	±0.05 mV/V	Temp. Coeff. of Zero	±0.02% F.S./°C
Nonlinearity	±0.3% F.S.	Temp. Coeff. of Span	±0.02% F.S./°C
Hysteresis	±0.3% F.S.	Input Resistance	385±50 Ohms
Nonrepeatability	±0.1% F.S.	Output Resistance	350±10 Ohms
Creep(5min)	±0.05% F.S.	Insulation Resistance	>2000M Ohms(50V)
Safe Load Limit	150% F.S.	IP Rating	IP40
Breaking Load	200% F.S.	Element Material	Stainless steel
Cable	Ø5*3000mm 4-conductor shielded cable		

• LCS reserves the right to modify its design and specifications without notice

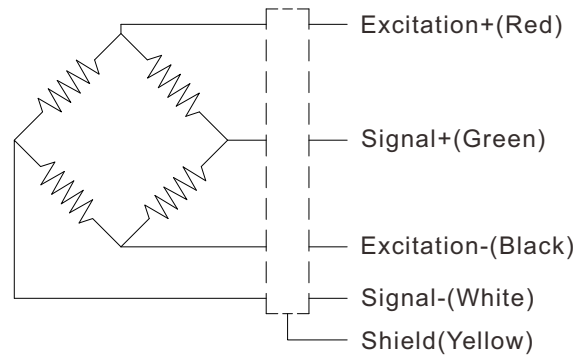




Load direction



Wiring Code@Clockwise



Shield is NOT connected to the sensor body

### Sensor/Amplifier/Indicator

Items	Power supply	Output/Function
RTS09	3-15V (Constant)	-30mV...+30mV (Depending on the power supply)
RTS09 + Analog amplifier	12~24V DC	0-3.3V,0-5V,0-10V, -5-5V,-10-10V,0-5-10V 0-20mA,4-20mA,4-12-20mA...
RTS09 + Digital amplifier	12~24V DC	RS485 or RS232 output
RTS09 + Indicator	12~24V DC	Display force value Switch/Relay output Peak holding RS485/RS232 interface 0-5V/0-10V/4-20mA output
<a href="#">Email us for datasheet of amplifier and indicator</a>		

