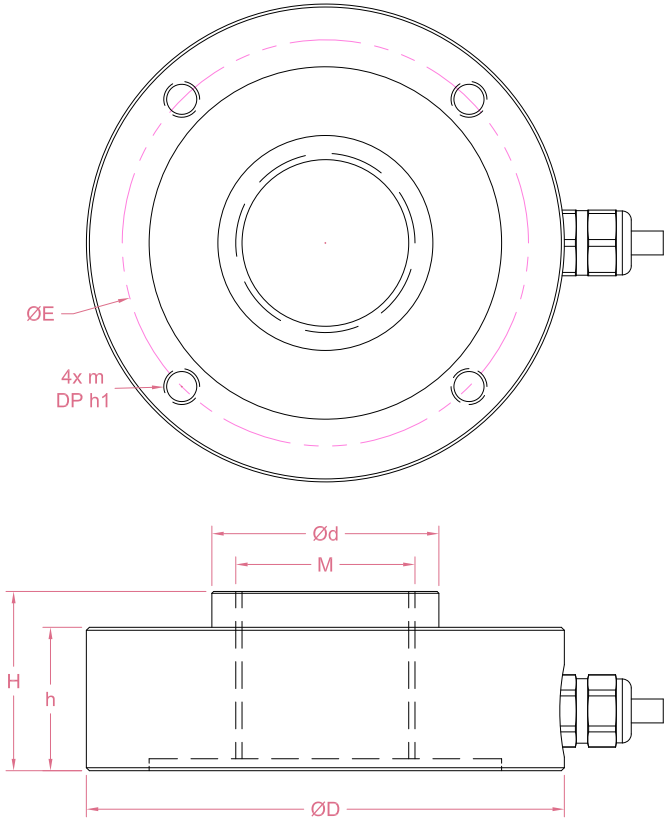




Dimensions in "mm"



Order example:
2 x LCP05B - 5kN

Quantity Model Capacity

Email to sales@loadcellsensor.com for a quote

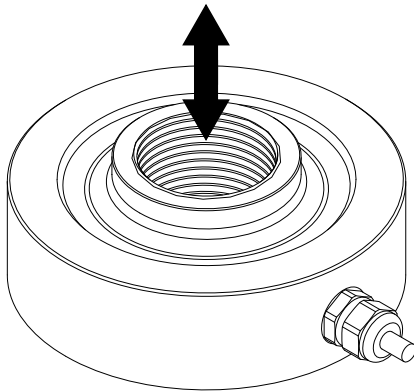
| Model | Capacity | D | H | h | d | M | E | m | h1 |
|--------|-----------------|----|----|----|----|----------|----|--------|----|
| LCP05A | 0.5/1/2/5/10kN | 50 | 18 | 16 | 18 | M12*1.75 | 42 | M4*0.7 | 6 |
| LCP05B | 1/2/5/10/20kN | 60 | 20 | 18 | 28 | M20*2.5 | 50 | M5*0.8 | 7 |
| LCP05C | 5/10/20/30/50kN | 80 | 30 | 24 | 38 | M30*1.5 | 68 | M6*1 | 8 |

| Specifications | | | |
|------------------|---|-----------------------|------------------|
| Rated Capacity | 0~50 kN | | |
| Rated Output | 1.5 mV/V | Compensated Temp. | 0...+40°C |
| Excitation | 3~15V | Operating Temp. | -20...+60°C |
| Zero Balance | ±0.05 mV/V | Temp. Coeff. of Zero | ±0.02% F.S./°C |
| Nonlinearity | ±0.5% F.S. | Temp. Coeff. of Span | ±0.02% F.S./°C |
| Hysteresis | ±0.5% F.S. | Input Resistance | 750±50 Ohms |
| Nonrepeatability | ±0.2% F.S. | Output Resistance | 750±50 Ohms |
| Creep(5min) | ±0.1% F.S. | Insulation Resistance | >2000M Ohms(50V) |
| Safe Load Limit | 150% F.S. | IP Rating | IP64 |
| Breaking Load | 200% F.S. | Element Material | Stainless steel |
| Cable | Ø3~Ø5*3000mm 4-conductor shielded cable | | |

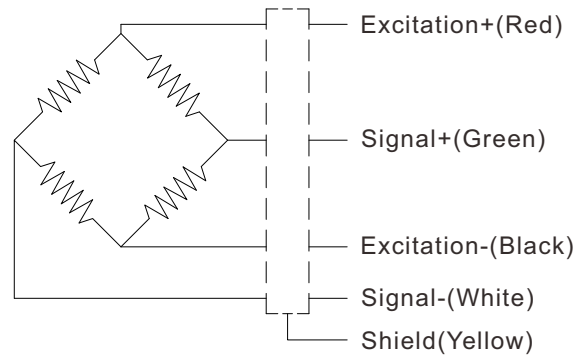
• LCS reserves the right to modify its design and specifications without notice



Load direction



Wiring Code



Shield is NOT connected to the sensor body

Sensor/Amplifier/Indicator

| Items | Power supply | Output/Function |
|---------------------------------|---------------------|---|
| LCP05 | 3-15V (Constant) | -22.5mV...+22.5mV (Depending on the power supply) |
| LCP05 + Analog amplifier | 12~24V DC | 0-3.3V,0-5V,0-10V, -5-5V,-10-10V,0-5-10V 0-20mA,4-20mA,4-12-20mA... |
| LCP05 + Digital amplifier | 12~24V DC | RS485 or RS232 output |
| LCP05 + Indicator | 12~24V DC | Display force value Switch/Relay output Peak holding RS485/RS232 interface 0-5V/0-10V/4-20mA output |

[Email us for datasheet of amplifier and indicator](mailto:sales@loadcellsensor.com)

Customization options

| |
|---|
| Cable (Length/Specifications/Connectors) |
| Dimensions and measuring range |
| Working Temperature (-20°C...+130°C) |