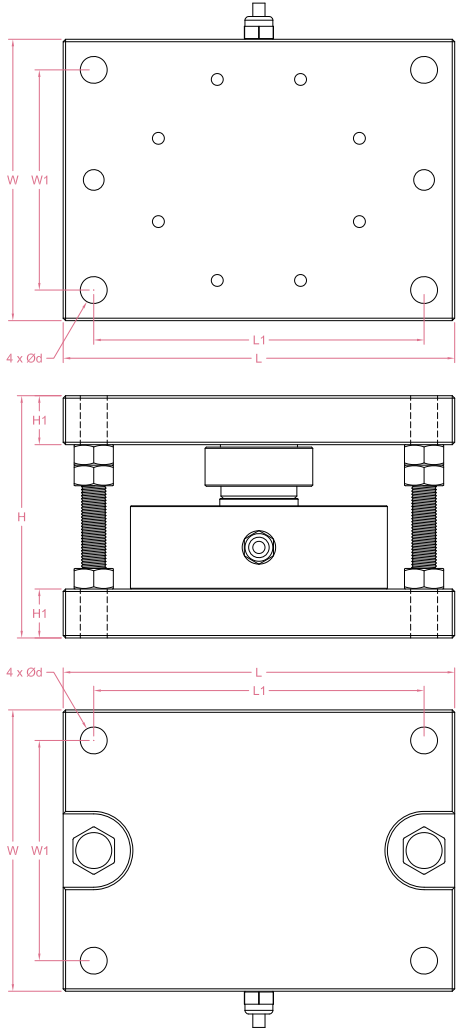




Dimensions in "mm"



Order example:
3 x LCW02 - 2t

Quantity Model Capacity
Email to sales@loadcellsensor.com for a quote

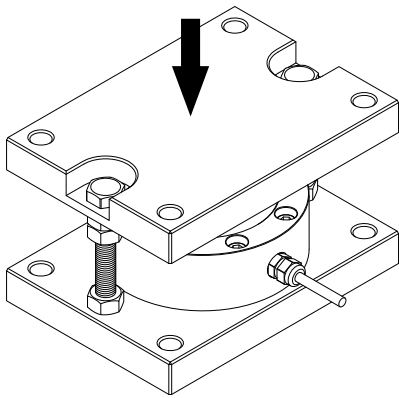
Capacity	L	L1	W	W1	H	H1	d
0.5/1/2/3/5/7t	160	135	115	90	100	20	11
10/20/25t	200	160	160	125	145	25	13
30/50t	240	200	180	135	175	30	17
60/100t	300	260	240	200	240	35	17

Specifications			
Rated Capacity	0.5/1/2/3/5/7/10/20/25/30/50/60/100 ton		
Rated Output	2.0 mV/V	Compensated Temp.	0...+40°C
Excitation	3~15V	Operating Temp.	-20...+65°C
Zero Balance	±0.1 mV/V	Temp. Coeff. of Zero	±0.005% F.S./°C
Nonlinearity	±0.05% F.S. ≥30t:±0.1% F.S.	Temp. Coeff. of Span	±0.005% F.S./°C
Hysteresis	±0.05% F.S. ≥30t:±0.1% F.S.	Input Resistance	385±30 Ohms
Nonrepeatability	±0.05% F.S.	Output Resistance	355±10 Ohms
Creep(5min)	±0.03% F.S.	Insulation Resistance	>2000M Ohms(50V)
Safe Load Limit	150% F.S.	IP Rating	IP66
Breaking Load	200% F.S.	Element Material	Alloy steel
Cable	≤3t: Ø5*3000mm 4-conductor shielded cable ≥5t: Ø5.8*6000mm 4-conductor shielded cable		

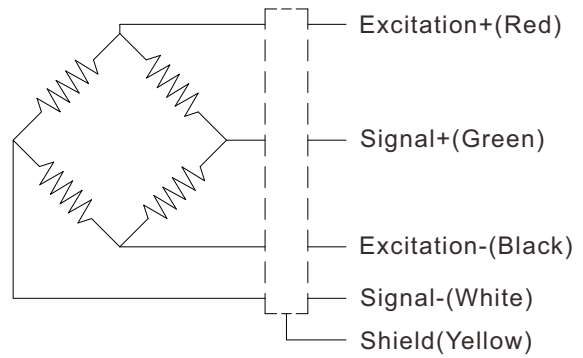
• LCS reserves the right to modify its design and specifications without notice



Load direction



Wiring Code



Shield is NOT connected to the sensor body

Sensor/Amplifier/Indicator

Items	Power supply	Output/Function
LCW02	3-15V (Constant)	0mV...+30mV (Depending on the power supply)
LCW02 + Analog amplifier	12~24V DC	0-3.3V,0-5V,0-10V, 0-20mA,4-20mA...
LCW02 + Digital amplifier	12~24V DC	RS485 or RS232 output
LCW02 + Indicator	12~24V DC	Display force value Switch/Relay output Peak holding RS485/RS232 interface 0-5V/0-10V/4-20mA output

[Email us for datasheet of amplifier and indicator](#)