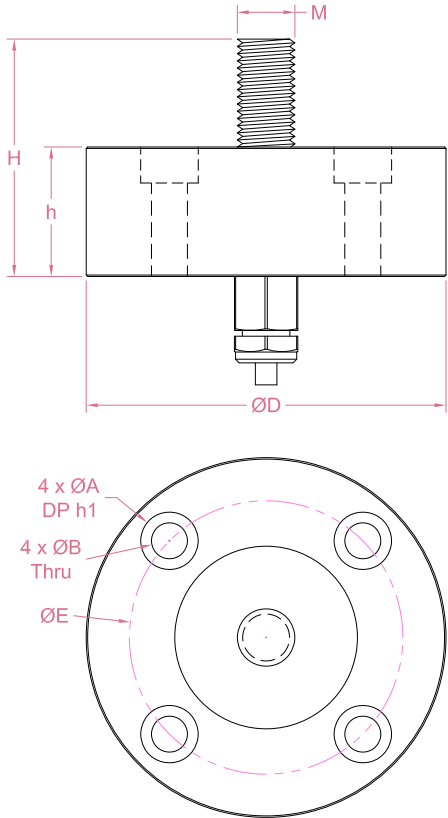




Dimensions in "mm"



Order example:

2 x LCR11 - 20kg

Quantity Model Capacity

Email to sales@loadcellsensor.com for a quote

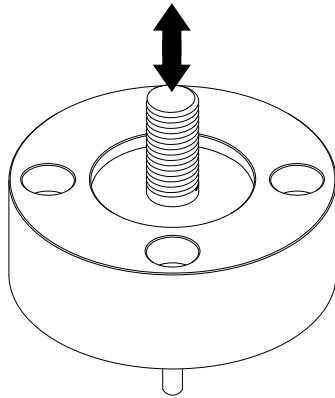
Capacity	D	H	h	E	A	B	h1	M
10/20/30/50kg	35.7	23.5	15	28	5	3	5	M6*1
100/200kg	50	33	18	38	8	5	5	M8*1.25
300/500/1000kg	62	40	22	48	10	6	6	M12*1.75
2000kg	75	46	26	55	13	8	9	M16*2

Specifications			
Rated Capacity	10/20/30/50/100/200/300/500/1000/2000 kg		
Rated Output	1.5 mV/V	Compensated Temp.	0...+40°C
Excitation	3~15V	Operating Temp.	-20...+60°C
Zero Balance	±0.05 mV/V	Temp. Coeff. of Zero	±0.03% F.S./°C
Nonlinearity	±0.5% F.S.	Temp. Coeff. of Span	±0.03% F.S./°C
Hysteresis	±0.5% F.S.	Input Resistance	750±100 Ohms
Nonrepeatability	±0.2% F.S.	Output Resistance	700±100 Ohms
Creep(5min)	±0.1% F.S.	Insulation Resistance	>2000M Ohms(50V)
Safe Load Limit	150% F.S.	IP Rating	IP65
Breaking Load	200% F.S.	Element Material	Stainless steel
Cable	Ø3*3000mm 4-conductor shielded cable		

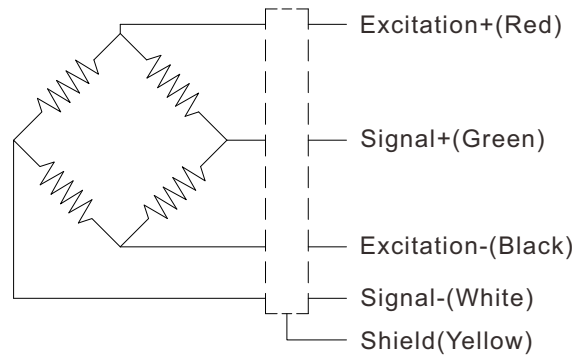
• LCS reserves the right to modify its design and specifications without notice



Load direction



Wiring Code@Compression



Shield is NOT connected to the sensor body

Sensor/Amplifier/Indicator

Items	Power supply	Output/Function
LCR11	3-15V (Constant)	-22.5mV...+22.5mV (Depending on the power supply)
LCR11 + Analog amplifier	12~24V DC	0-3.3V,0-5V,0-10V,0-2.5-5V,0-5-10V -3.3-3.3V,-5-5V,-10-10V 0-20mA,4-20mA,4-12-20mA...
LCR11 + Digital amplifier	12~24V DC	RS485 or RS232 output
LCR11 + Indicator	12~24V DC	Display force value Switch/Relay output Peak holding RS485/RS232 interface 0-5V/0-10V/4-20mA output

[Email us for datasheet of amplifier and indicator](mailto:sales@loadcellsensor.com)

Customization options

Cable (Length/Specifications/Connectors)
Dimensions and measuring range