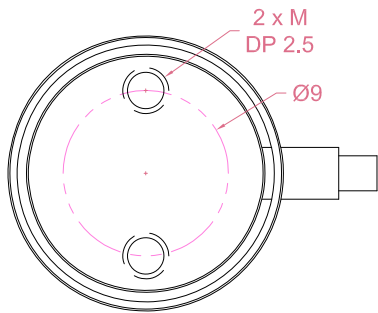
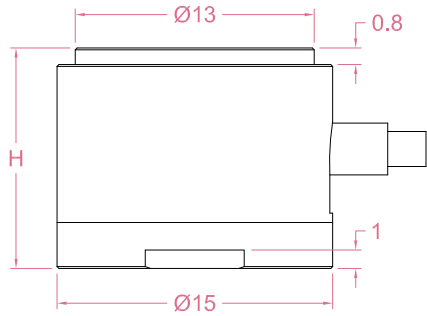
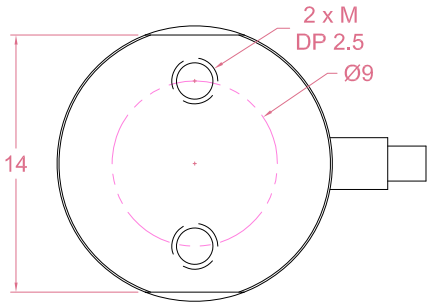




Dimensions in "mm"



| Capacity      | H  | M         |
|---------------|----|-----------|
| 1/2/5/10/20kg | 9  | M2*0.4    |
| 50kg          | 12 | M2.5*0.45 |
| 100/200kg     | 15 | M3*0.5    |

Order example:

2 x LCF03 - 1kg

Quantity      Model      Capacity  
Email to [sales@loadcellsensor.com](mailto:sales@loadcellsensor.com) for a quote

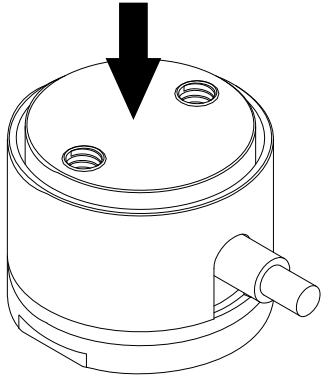
| Specifications   |                                      |                       |                  |
|------------------|--------------------------------------|-----------------------|------------------|
| Rated Capacity   | 1/2/5/10/20/50/100/200 kg            |                       |                  |
| Rated Output     | 2.0 mV/V                             | Compensated Temp.     | 0...+40°C        |
| Excitation       | 3~12V                                | Operating Temp.       | -20...+60°C      |
| Zero Balance     | ±0.1 mV/V                            | Temp. Coeff. of Zero  | ±0.02% F.S./°C   |
| Nonlinearity     | ±0.3% F.S.                           | Temp. Coeff. of Span  | ±0.02% F.S./°C   |
| Hysteresis       | ±0.3% F.S.                           | Input Resistance      | 350/650±30 Ohms  |
| Nonrepeatability | ±0.1% F.S.                           | Output Resistance     | 350/650±10 Ohms  |
| Creep(5min)      | ±0.1% F.S.                           | Insulation Resistance | >2000M Ohms(50V) |
| Safe Load Limit  | 150% F.S.                            | IP Rating             | IP50             |
| Breaking Load    | 200% F.S.                            | Element Material      | Stainless steel  |
| Cable            | Ø2*3000mm 4-conductor shielded cable |                       |                  |

• LCS reserves the right to modify its design and specifications without notice

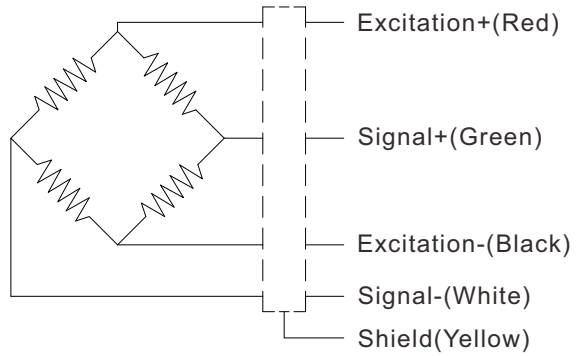
P:1/2



Load direction



Wiring Code



Shield is NOT connected to the sensor body

### Sensor/Amplifier/Indicator

| Items   | Power supply        | Output/Function   |
|---|---------------------|---|
| LCF03   | 3-12V<br>(Constant) | 0mV...+24mV<br>(Depending on the power supply)  |
| LCF03<br>+<br>Analog amplifier                                    | 12~24V DC           | 0-3.3V,0-5V,0-10V,<br>0-20mA,4-20mA...  |
| LCF03<br>+<br>Digital amplifier                                   | 12~24V DC           | RS485 or RS232 output   |
| LCF03<br>+<br>Indicator   | 12~24V DC           | Display force value<br>Switch/Relay output<br>Peak holding<br>RS485/RS232 interface<br>0-5V/0-10V/4-20mA output |
| <a href="#">Email us for datasheet of amplifier and indicator</a> |                     |   |