



Ordering part No.



Ordering part No.: Model - Torque capacity - Speed capacity - Code							
Model	Torque cap. (Nm)	Speed cap. (RPM)	Code	Power supply	Torque output	Speed output	
RTSB	50 100 200 300 500 1k 2k 3k 5k 10k	50~200Nm: 0~15000 300~1kNm: 0~11000 2k/3kNm: 0~8500	A	24V DC	-3.3-3.3V	0-3.3V	
			B		0-1.65-3.3V		
			C		-5-5V	0-5V	
			D		0-2.5-5V		
			E		-10-10V	0-10V	
			F		0-5V-10V		
		G	4-12-20mA	4-20mA			
		H	5kNm: 0~6500 10kNm: 0~5500	12V DC	H	-3.3-3.3V	0-3.3V
					I	0-1.65-3.3V	
					J	-5-5V	0-5V
					K	0-2.5-5V	
					L	4-12-20mA	4-20mA

Example: **RTSB-100-8000-C** means:
Power: 24V DC
Torque: -100Nm~100Nm VS -5-5V
Speed: 0~8000RPM VS 0-5V

Wiring code	
Red	Power+
Black	Power-
Green	Torque output+
Yellow	Speed output+
White	Output-
Bold Yellow	Shield

Specifications	
Torque Capacity	50Nm~10kNm (Selectable)
Power supply	12 or 24V DC
Torque Output	Refer to ordering part No.
Sampling Rate	500Hz
Nonlinearity	±0.2% F.S.
Hysteresis	±0.2% F.S.
Nonrepeatability	±0.1% F.S.
Creep(5min)	±0.05% F.S.
Safe Torque Limit	150% F.S.
Breaking Torque	200% F.S.
Operating Temp.	-10...+60°C
Temp. Coeff. of Zero	±0.02% F.S./°C
Temp. Coeff. of Span	±0.02% F.S./°C
IP Rating	IP40
Rotor Material	50-1kNm: Titanium alloy 2k-10kNm: Stainless steel
Stator Material	Aluminum alloy
Cable	Ø6*5000mm with mating connector

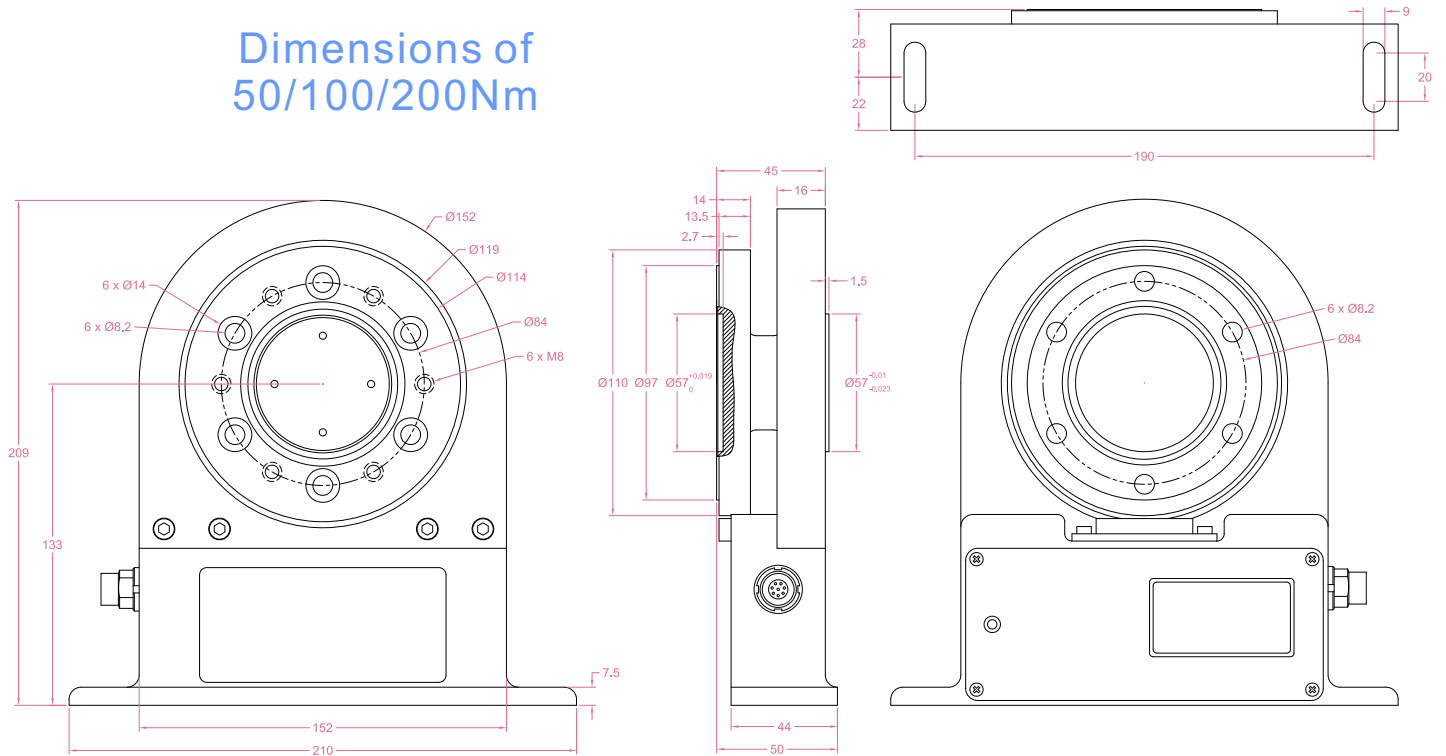
• LCS reserves the right to modify its design and specifications without notice



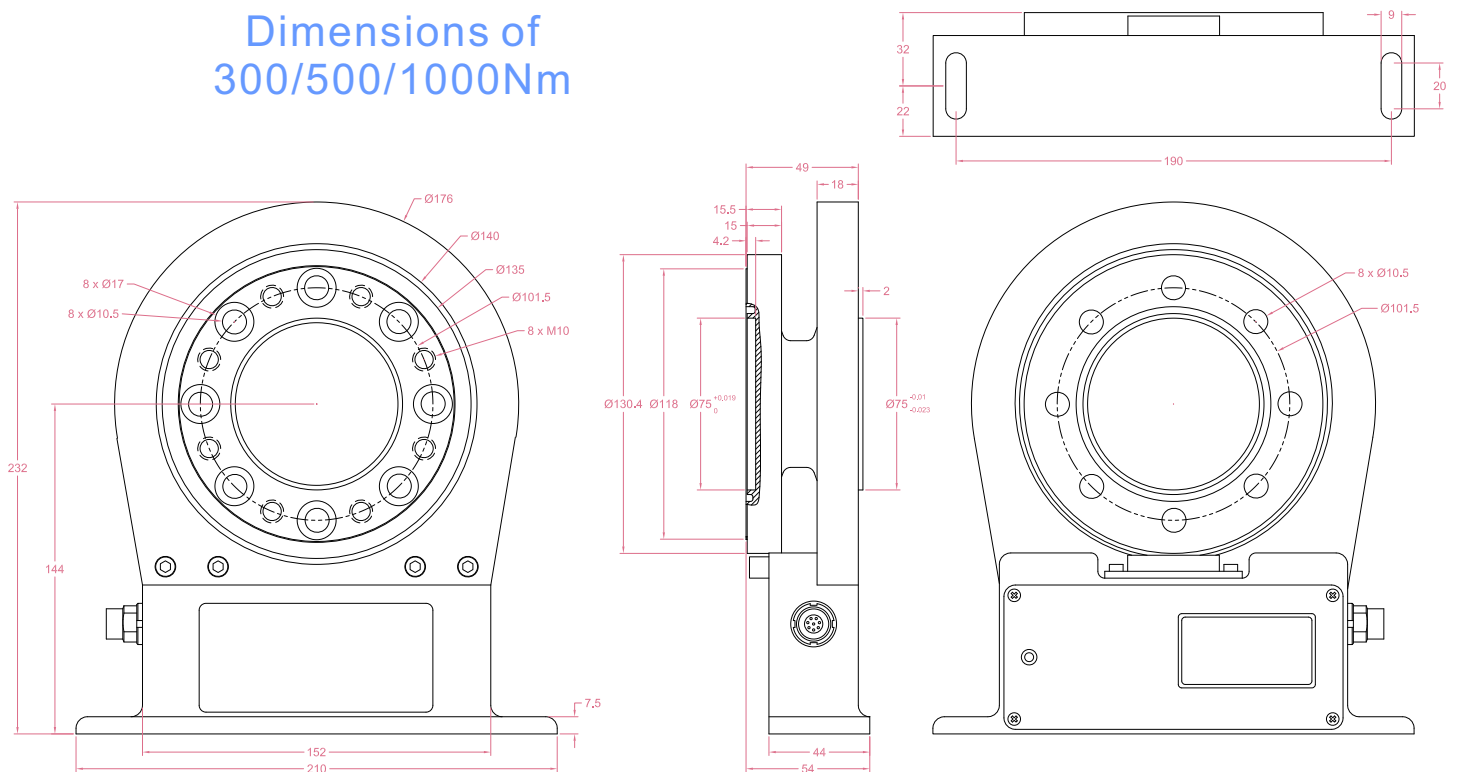


Dimensions in "mm"

Dimensions of
 50/100/200Nm

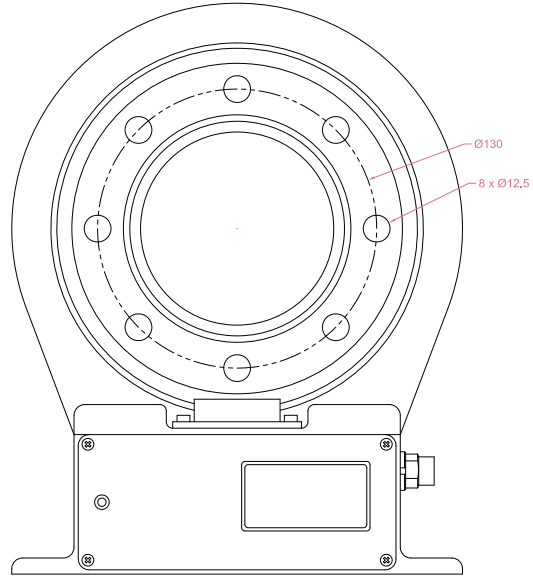
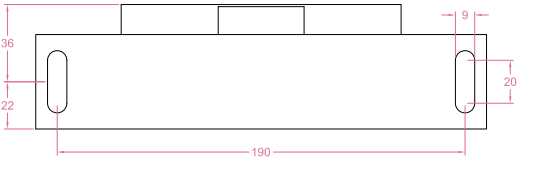
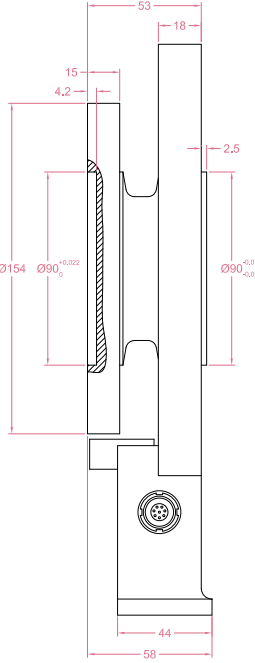
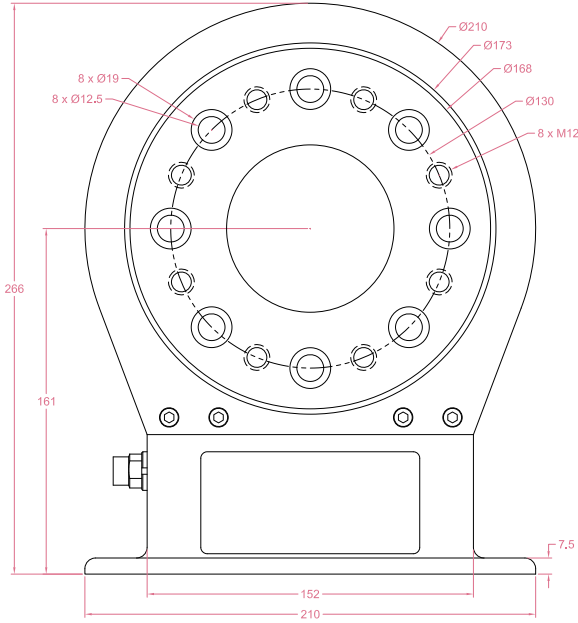


Dimensions of
 300/500/1000Nm

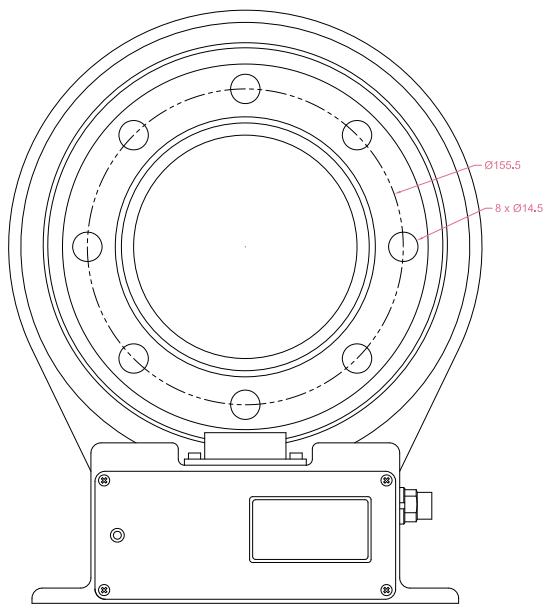
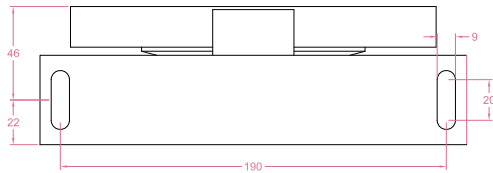
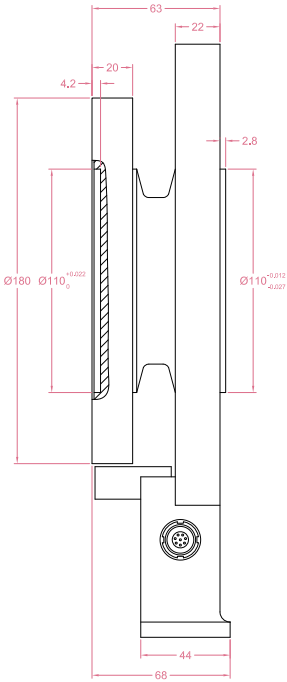
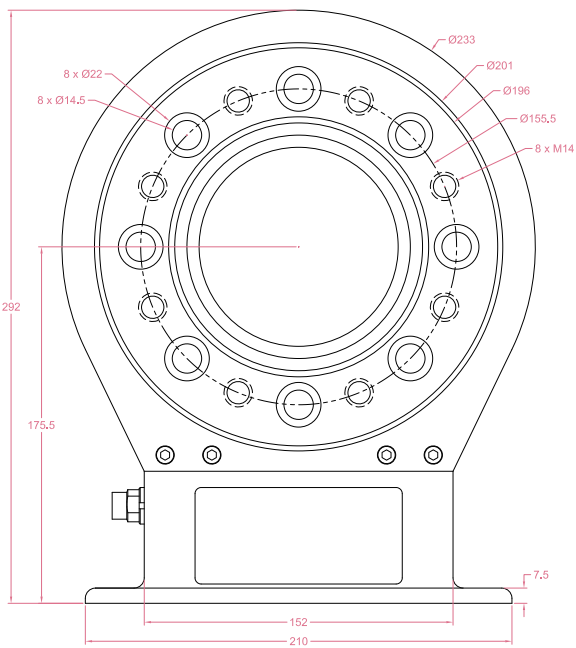


Dimensions in "mm"

Dimensions of 2k/3kNm



Dimensions of 5kNm



Dimensions in "mm"

Dimensions of 10kNm

