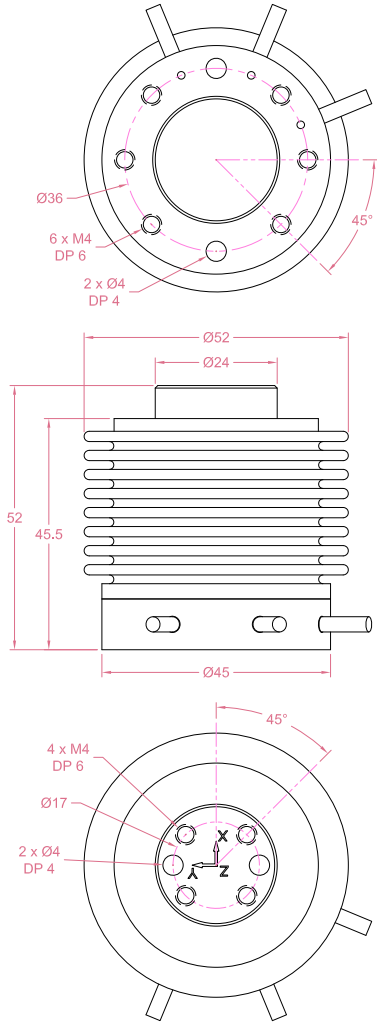




Dimensions in "mm"



Order example:

1 x LCM3A - 20kg

Quantity

Model

Capacity
($F_x=F_y=F_z$)

Email to sales@loadcellsensor.com for a quote

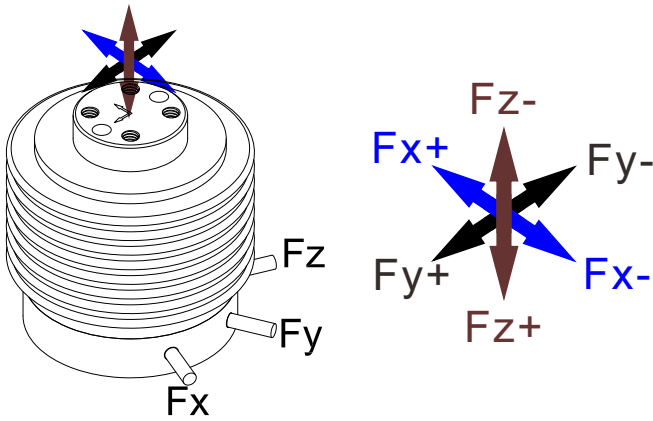
Specifications			
Rated Capacity	F _x =F _y =F _z =5/10/20/50 kg		
Rated Output	1.0 mV/V	Compensated Temp.	0...+40°C
Excitation	3~12V	Operating Temp.	-20...+60°C
Zero Balance	±0.3 mV/V	Temp. Coeff. of Zero	±0.02% F.S./°C
Nonlinearity	±0.5% F.S.	Temp. Coeff. of Span	±0.02% F.S./°C
Hysteresis	±0.5% F.S.	Input Resistance	F _x /F _y : 380±30 Ohms F _z : 750±100 Ohms
Nonrepeatability	±0.2% F.S.	Output Resistance	F _x /F _y : 350±30 Ohms F _z : 700±50 Ohms
Creep(3min)	F _z : ±0.3% F.S. F _x /F _y : ±0.1% F.S.	Insulation Resistance	>2000M Ohms(50V)
Safe Load Limit	150% F.S.	IP Rating	IP67
Breaking Load	200% F.S.	Element Material	Stainless steel
Cable	3 x $\varnothing 3$ *4000mm 4-conductor shielded cable		

• LCS reserves the right to modify its design and specifications without notice

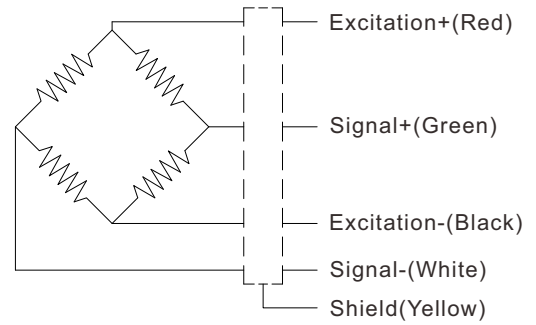
P:1/2



Load direction



Wiring Code
 (Same for Fx/Fy/Fz axis)



Shield is NOT connected to the sensor body

Sensor/Amplifier/Indicator

Items	Power supply	Output/Function
LCM3A	3-12V (Constant)	-12mV...+12mV (Depending on the power supply)
LCM3A + Analog amplifier	12~24V DC	0-3.3V,0-5V,0-10V,0-2.5-5V,0-5-10V -3.3-3.3V,-5-5V,-10-10V 0-20mA,4-20mA,4-12-20mA...
LCM3A + Digital amplifier	12~24V DC	RS485 or RS232 output

Email us for datasheet of amplifiers