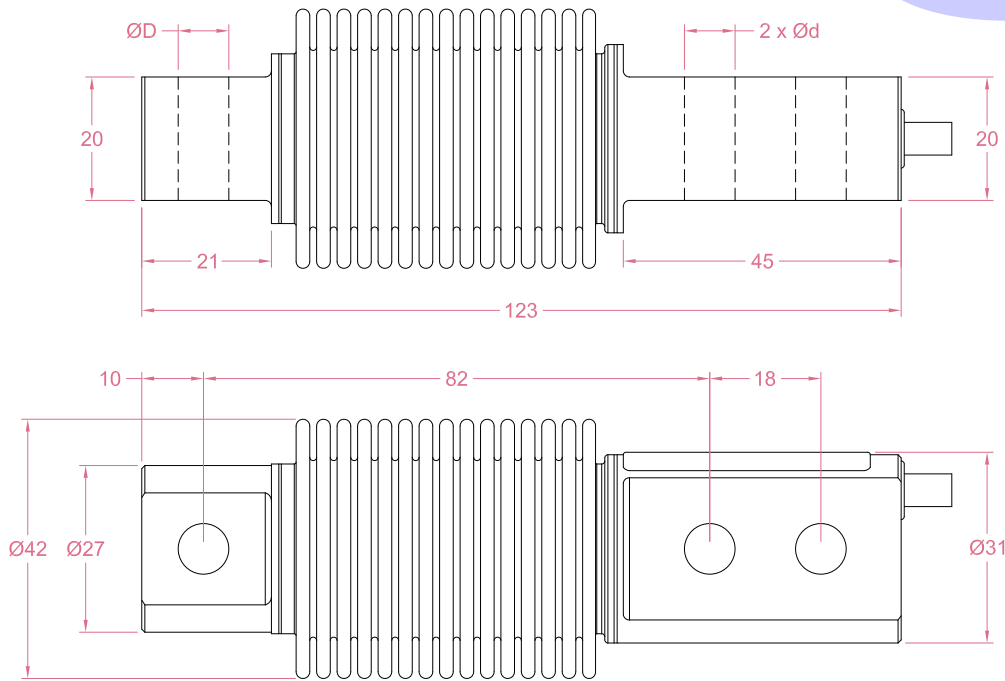




Dimensions in "mm"

99usd/pc



Capacity	D	d
5~200kg	8.2	8.2
500kg	11.1	10.5

Order example:

2 x LCGD - 50kg

Quantity Model Capacity

Email to sales@loadcellsensor.com for a quote

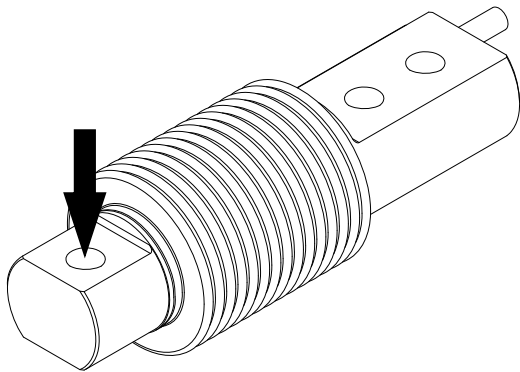
Specifications			
Rated Capacity	5/10/20/30/50/100/200/500 kg		
Rated Output	2.0±0.05 mV/V	Compensated Temp.	-10...+40°C
Excitation	3~15V	Operating Temp.	-30...+65°C
Zero Balance	±0.05 mV/V	Temp. Coeff. of Zero	±0.002% F.S./°C
Nonlinearity	±0.02% F.S.	Temp. Coeff. of Span	±0.002% F.S./°C
Hysteresis	±0.02% F.S.	Input Resistance	390±30 Ohms
Nonrepeatability	±0.02% F.S.	Output Resistance	355±5 Ohms
Creep(30min)	±0.02% F.S.	Insulation Resistance	>2000M Ohms(50V)
Safe Load Limit	150% F.S.	IP Rating	IP68
Breaking Load	200% F.S.	Element Material	Stainless steel
Cable	Ø5.4*3000mm 6-wire shielded cable		

• LCS reserves the right to modify its design and specifications without notice

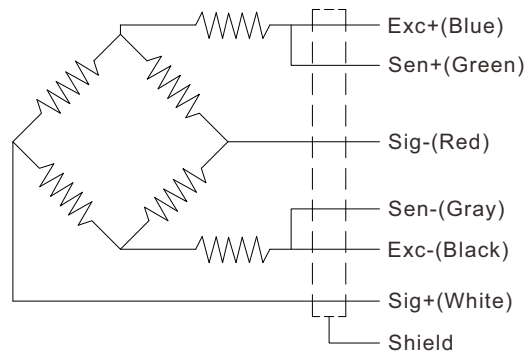




Load direction



Wiring Code



Shield is NOT connected to the sensor body

